

INTERIM AMENDMENT
TO
FEDERAL SPECIFICATION

BOXES, WOOD, CLEATED-PLYWOOD

This interim amendment was developed by Navy Ships Parts Control Center, Mechanicsburg, Pa 17055-0788 based upon currently available technical information. It is recommended that Federal agencies use it in procurement and forward recommendations for changes to the preparing activity at the address shown above.

The General Services Administration has authorized the use of this interim amendment as a valid exception to PPP-B-601H dated May 22, 1989.

Page 10

3.1.4.5 Demountable, Assembled with Fasteners other than Nails and Screws (See figure 3) Fasteners shall conform to figure 3-A. Other fastener systems capable of passing the tests specified in Section 4 may also be used. Procurement documents shall indicate the type of fastener desired (see 6.2).

Page 11

3.2, line 30, delete "figures 2 and 3" and substitute "figures 2 and 2-A".

Page 13

3.3.1.3 Demountable, Assemble with Fasteners other than Nails and Screws The corner closure system consists of 5 items: 1 ea. of the HBS I corner plate, 2 ea. of the HBS III strike catch and 2 ea. of the HBS IV spring clips. The edge closure system is made of 3 items: 1 ea. of the HBS II bracket/angle, 1 ea. of the HBS III strike catch and 1 ea. of the HBS IV spring clip. Installation of both the HBS I corner plate and the HBS II bracket/angle is self-locating. Place the plate flange snug against the wood edge of the panel. There are no counterbores under either the HBS I or HBS II. Installation of the HBS III strike/catch requires, first, a counterbore 1½" dia. X ¼" deep drilled 1½" from the edge of the wood panel and centered opposite the corresponding HBS I and HBS II plate, aligning the center of the counterbore with the center of the rectangular hole in the opposing HBS I or HBS II plate.

AMSC N/A

FSC 8115

DISTRIBUTION STATEMENT A. Approved for public release;
distribution is unlimited.

PPP-B-601H
Int Amendment-1 (SA)

Place the HBS III strike/catch over the counterbore so that the flat portion of the plate extends beyond the panel edge by 3/8" (see figure 3-A). Square and align the HBS III strike/catch plate with the opposing HBS I or HBS II plates and secure all plates with wood screws. Each plate requires 4 wood screws (3/4" pan head #10 screws are preferred) (see figure 3-B). Spring clips shall be securely inserted in the HBS I corner plate and HBS II bracket/ angle plates with the hook end, thus preventing loss of the spring clips when the panels are disassembled. The distance between any two fastening systems shall not exceed 30".

To assemble, hook short leg of spring clip into square hole of plate and strike with hammer or rubber mallet to engage long leg of spring clip into opposing plate. To disassemble, insert a screwdriver behind loop in long leg of spring clip and exert pressure (see figure 3-C).

3.3.1, lines 4 and 8, delete "figures 2 and 3" and substitute "figures 2 and 2-A".

Page 24

Table X, line 4, delete "See figures 1 and 3" and substitute "See figures 1 and 2-A".

Page 34

Delete "Fig. 3" and substitute "Fig.2-A".

Custodian:

NAVY - SA

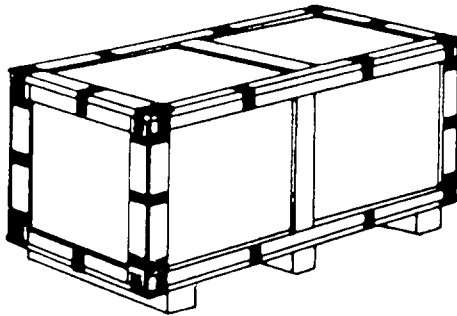
Preparing Activity

NAVY - SA

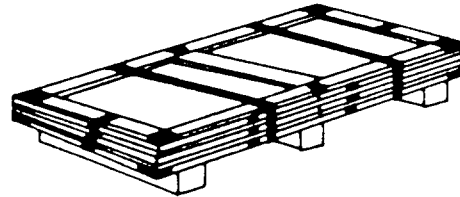
Project No. 8115-N509

PPP-B-601H
INT AMENDMENT 1 (SA)

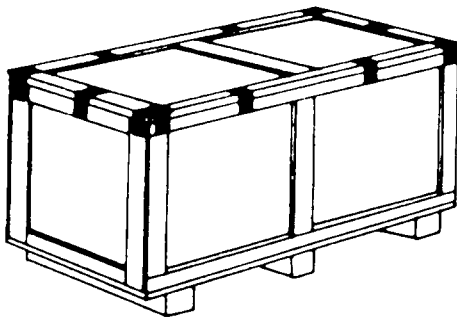
This information covers demountable boxes, assembled with fasteners other than nails and screws, and having the capability of being repeatedly assembled and disassembled. Also for boxes where only the lids are to be removed, or when the lid and one panel are to be removed and replaced repeatedly.



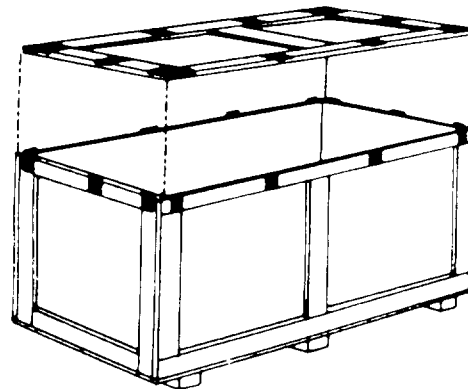
ASSEMBLED FOR SHIPMENT



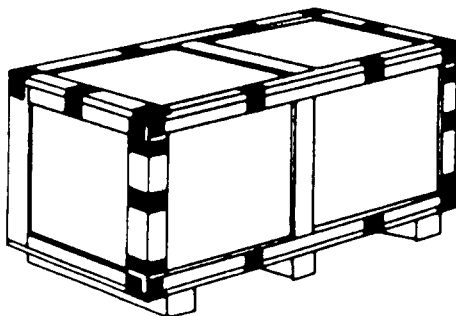
KNOCKED DOWN & STRAPPED FOR SHIPMENT



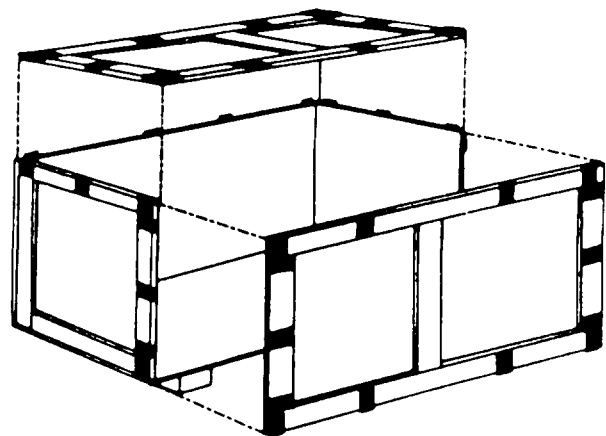
QUICK LID ASSEMBLY



LID DETACHED



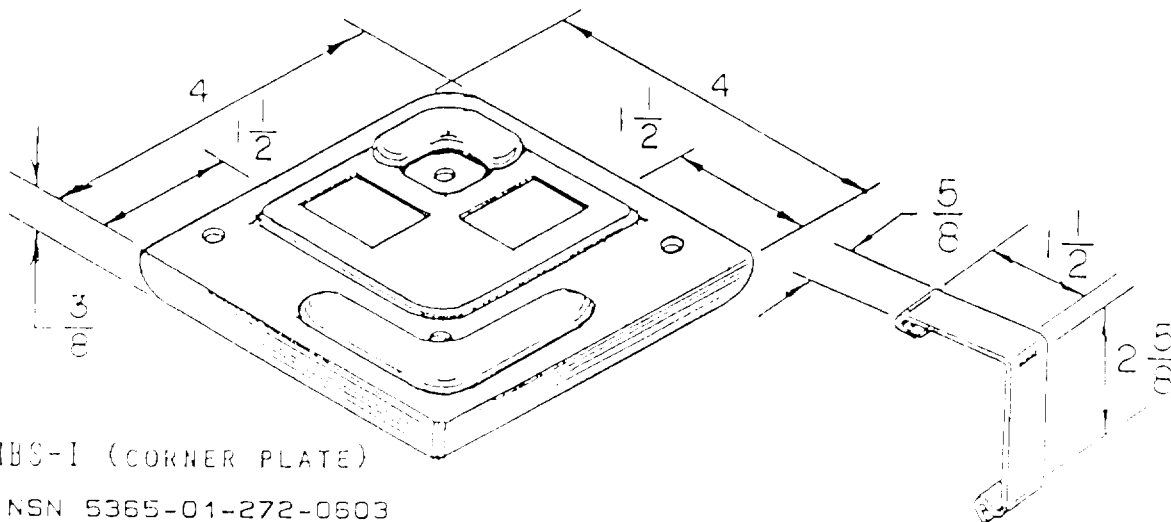
QUICK LID &
FRONT PANEL ASSEMBLY



LID & FRONT PANEL DETACHED

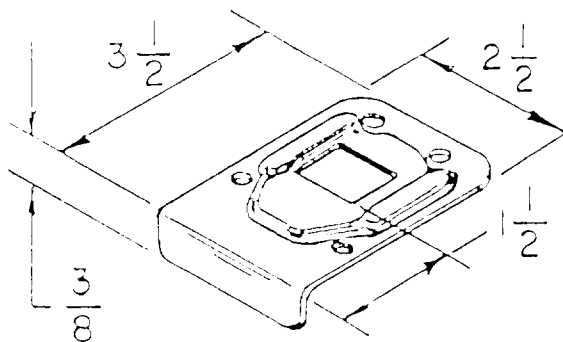
FIGURE 3 - BOXES, DEMOUNTABLE, ASSEMBLED WITH FASTENERS
OTHER THAN NAILS AND SCREWS

PPP-6-601H
 INT AMENDMENT 1 (SA)

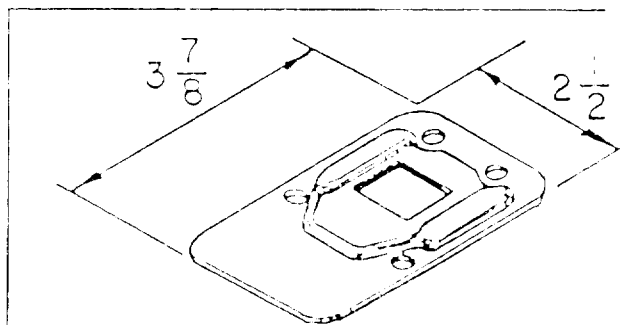


HBS-I (CORNER PLATE)
 NSN 5365-01-272-0603

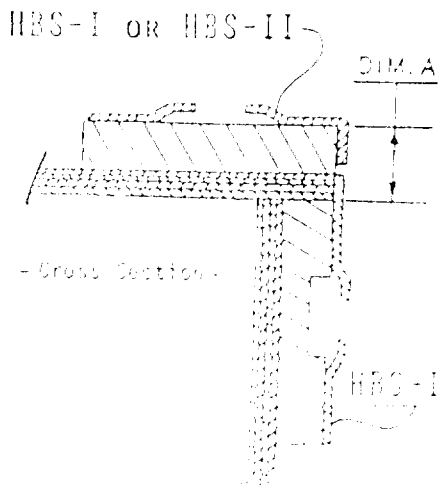
HBS-IV (SPRING CLIP)
 NSN 5340-01-272-0595



HBS-II (BRACKET, ANGLE)
 NSN 5340-01-272-0587



HBS-III-(4 TO 8) (STRIKE, CATCH)
 TABLE FOR DETERMINING THE
 PROPER HBS-III PLATE

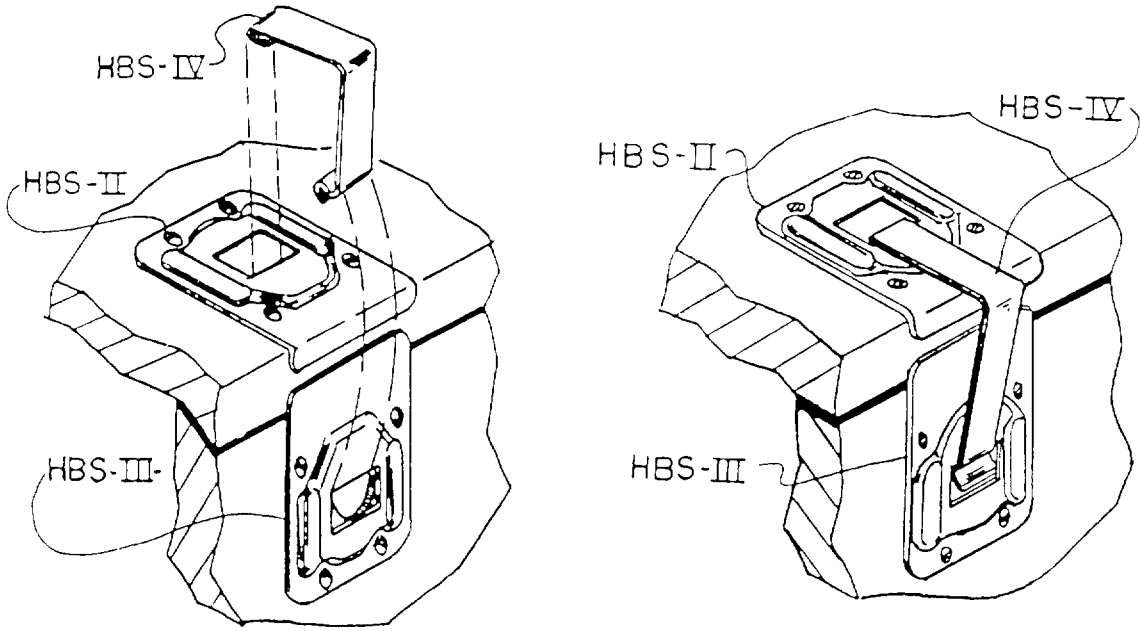


	NSN	DIM. "A"
HBS-III-4	5340-01-272-0591	1"
HBS-III-5	5340-01-272-0592	1-1/8"
HBS-III-6	5340-01-272-0593	1-1/4"
HBS-III-7	5340-01-272-0594	1-3/8"
HBS-III-8	5340-01-272-0595	1-1/2"

General: All dimensions are in inches unless otherwise specified.
 Plate or HBS-II to which HBS-III is attached must be of the type
 shown in the drawing for which the HBS-III is intended.
 *The 4" nominal diameter of the HBS-III-5 is not to be exceeded.

FIGURE 1 - Assembly hardware for the Pointing System

EDGE ASSEMBLY



CORNER ASSEMBLY

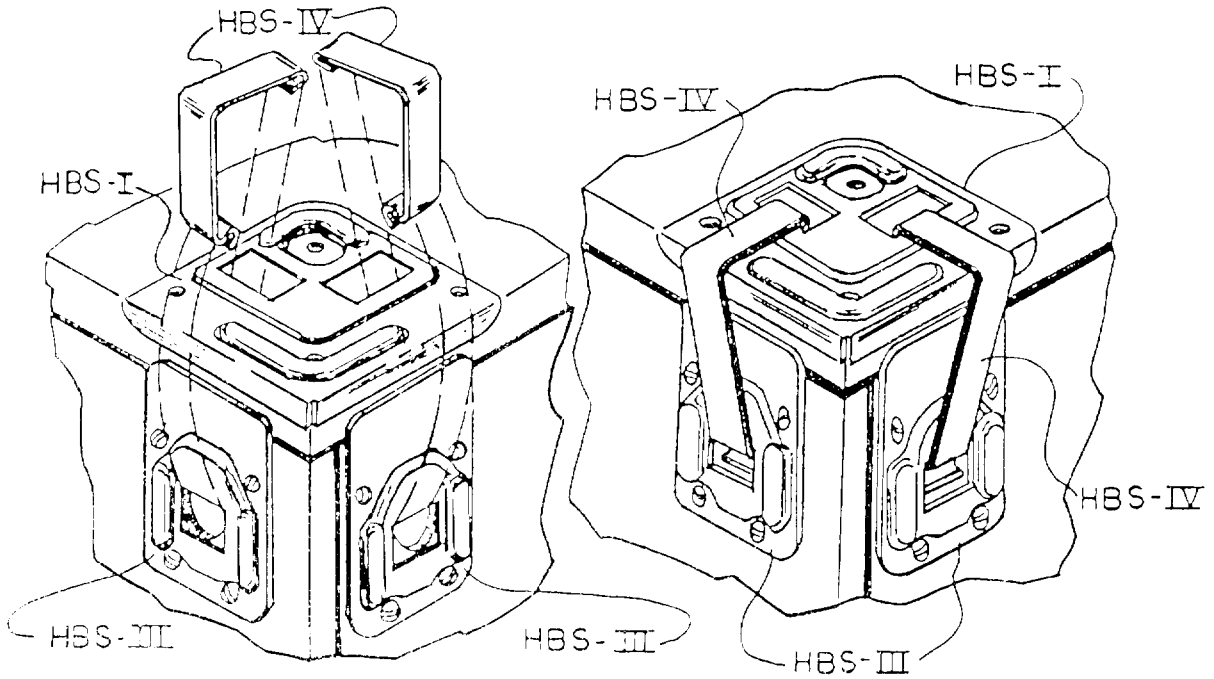
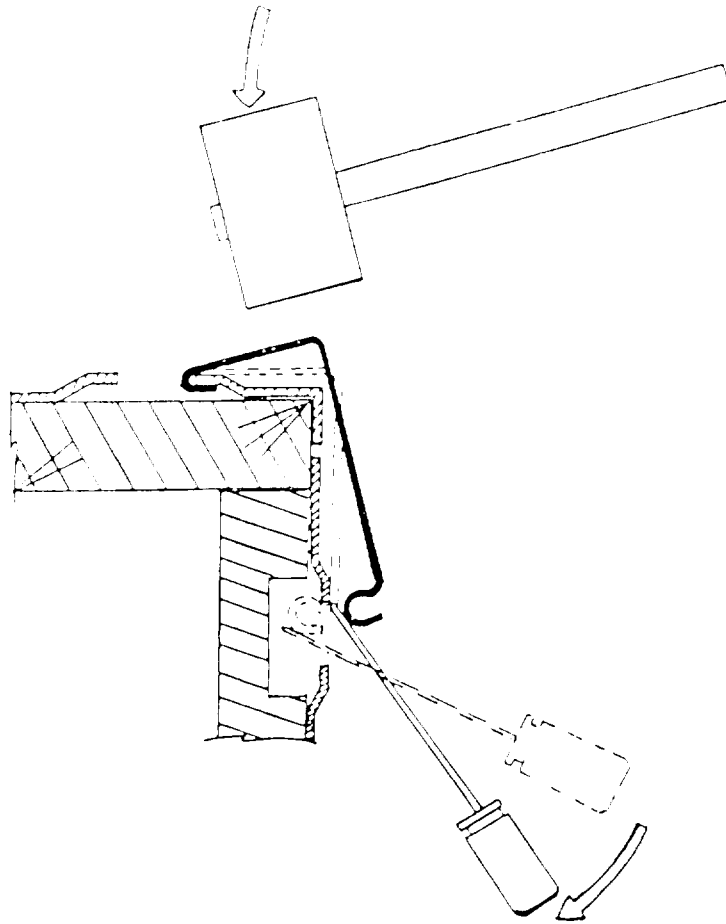


FIGURE 3 B - EDGE ASSEMBLY & CORNER ASSEMBLY

TO ASSEMBLE: Hook short leg of spring clip into square hole of plate and strike with hammer or a rubber mallet to engage long leg of spring clip in opposing plate.



TO DISASSEMBLE: Insert screwdriver behind loop in long leg of spring clip and exert pressure as shown.

Figure 3 C - Assembly & Disassembly Instructions